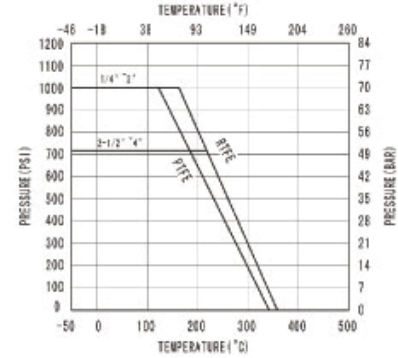


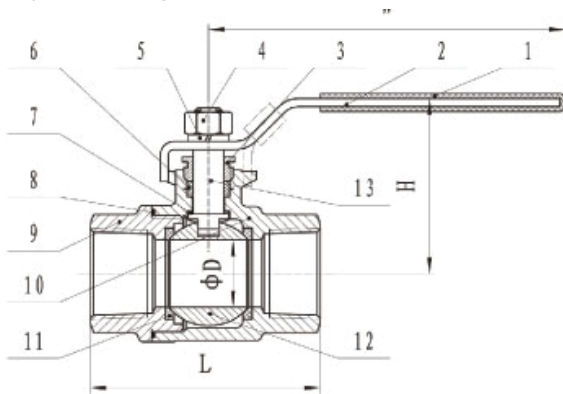
VALVULAS ESFERICAS SS316

2PC BALL VALVE



FEATURES

- 1000PSI/ PN64
- Full port
- Investment casting
- Blow-out proof stem
- Locking device handle (option)
- PED97/23/EC (CE0035) Approved
- Casting approved AD2000-WO
- Thread: ASME B1.20.1 BS21.DIN2999/259
- ISO228-1, JIS B0203, IS7/1
- Inspection testing: API598, EN12266



MATERIAL LIST

ITEM	DESIGNATION	MATERIAL
1	PLASTIC COVER	PLASTIC
2	HANDLE	SUS304
3	GLAND NUT	SUS304
4	STEM NUT	SUS304
5	THRUST WASHER	SUS304
6	STEM PACKING	PTFE
7	STEM SEAL	PTFE
8	BODY SEAL	PTFE
9	CAP	CF8/CF8M
10	BODY	CF8/CF8M
11	SEAT	RPTFE
12	BALL	CF8/CF8M
13	STEM	SUS304

DIMESION TABLE

ITEM	SIZE	1/4"	3/8"	1/2"	3/4"	1"	1 1/4"	1 1/2"	2"	2 1/2"	3"	4"
D		12,5	12,5	15	20	25	32	38	50	65	76	94
H		45	45	46	51	65	69	85	93	116	125	166
W		103	103	103	126	144	144	189	189	224	224	295
L		51	51	63	74	86	98	106	122	159	182	226