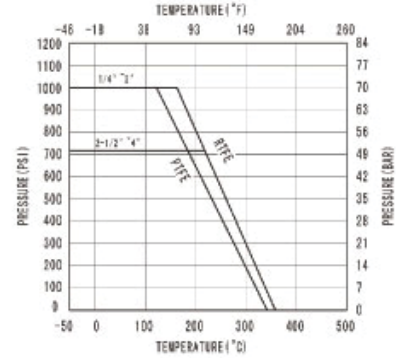


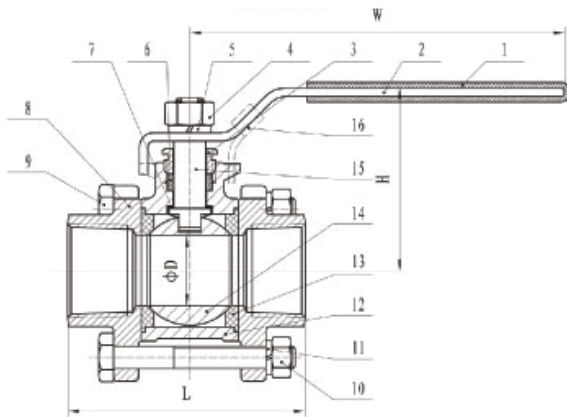
## VALVULAS ESFERICAS SS316

3PC BALL VALVE



### FEATURES

- 1000PSI/ PN64
- Full port
- Investment casting
- Blow-out proof stem
- Locking device handle (option)
- PED97/23/EC (CE0035) Approved
- Casting approved AD2000-WO
- Thread: ASME B1.20.1 BS21.DIN2999/259
- ISO228-1, JIS B0203, IS7/1
- Inspection testing: API598, EN12266



### MATERIAL LIST

ITEM	DESIGNATION	MATERIAL
1	PLASTIC COVER	PLASTIC
2	HANDLE	SUS304
3	GLAND NUT	SUS304
4	STEM NUT	SUS304
5	THRUST WASHER	SUS304
6	STEM PACKING	PTFE
7	THRUST WASHER	PTFE
8	CAP	CF8/CF8M
9	BOLT	SUS304
10	NUT	SUS304
11	THRUST WASHER	SUS304
12	BODY	CF8/CF8M
13	SEAT	RPTFE
14	BALL	CF8/CF8M
15	STEM	SUS304
16	LOCKING	SUS304

### DIMESION TABLE

ITEM	SIZE	1/4"	3/8"	1/2"	3/4"	1"	1 1/4"	1 1/2"	2"	2 1/2"	3"	4"
D		12,5	12,5	15	20	25	32	38	50	65	76	94
H		48	48	50	52	65	70	85	93	116	125	180
W		105	105	105	126	144	144	189	189	224	224	251
L		72	72	72	80	85	105	113	132	170	186	220